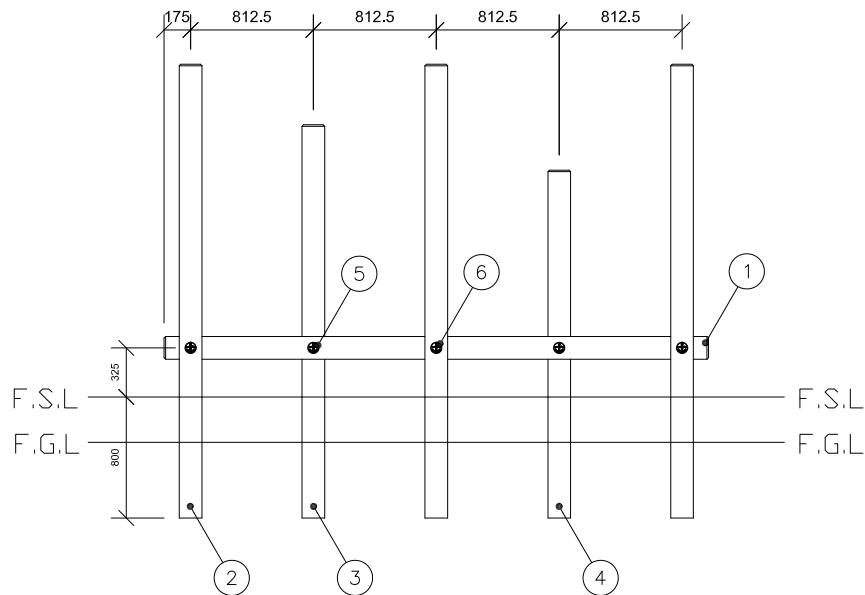




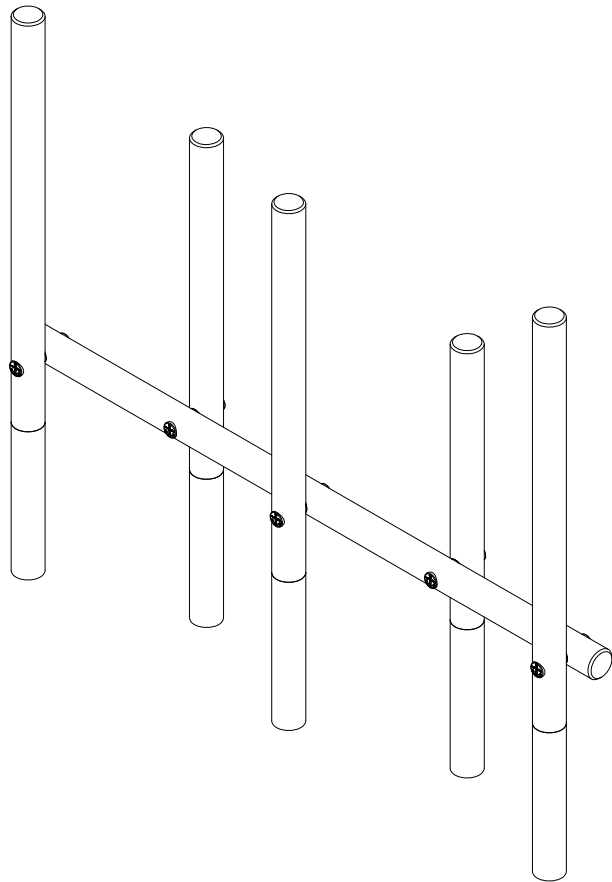
# BALP1027 - WEAVE BALANCE BEAM



FRONT ELEVATION

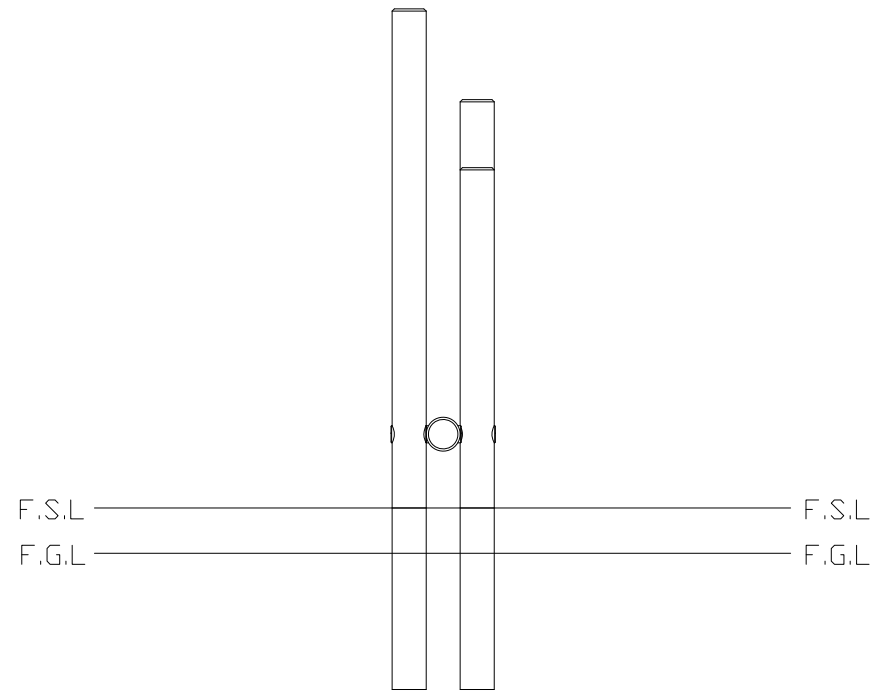
Item	Code	Description	No.	
1	PST	TIMBER POST 3.60M LONG	1	<b>SPECIFICATIONS:</b> POSTS: NATURAL AUSTRALIAN HARDWOOD  HARDWARE: STAINLESS STEEL
2	PST	TIMBER POST 3.00M LONG	3	
3	PST	TIMBER POST 2.60M LONG	1	
4	PST	TIMBER POST 2.30M LONG	1	
5	OTH03001	INDEXED PIVOT ANCHOR ASSEMBLY (SS)	5	
6	CAP00001	IP COVER CAP ASSEMBLY (SS)	10	
				<b>MAINTENANCE:</b> CHECK ALL FASTENERS AND RE-TIGHTEN IF NECESSARY 1 WEEK AFTER INSTALLATION. A MAINTENANCE SCHEDULE SHOULD BE ESTABLISHED AND FOLLOWED DEPENDANT ON FREQUENCY OF EQUIPMENT USE.
				<b>REQUIRED FALLZONE:</b> FHOF: 0.50M
<b>APPLICATION:</b> WOODWORX RANGE OF COMMERCIAL PLAYGROUND EQUIPMENT  STANDARD STABLE SOIL CLASS M OR GREATER  AGE: 5 YEARS & ABOVE				
<b>INSTALLATION INSTRUCTIONS:</b> 1. READ THIS DOCUMENT THOROUGHLY BEFORE COMMENCING INSTALLATION 2. CHECK ALL ITEMS ABOVE ARE INCLUDED AND UNDAMAGED 3. IF ANY ITEMS ARE MISSING OR DAMAGED IN TRANSIT PLEASE CONTACT IMAGINATION PLAY IMMEDIATELY FOR FURTHER ASSISTANCE. 4. CHECK APPROPRIATE AREA IS AVAILABLE FOR INSTALLATION AS PER DIAGRAM AND MARK OUT ACCORDINGLY INCLUDING FOUNDATION LOCATION. 5. IT IS IMPERATIVE THAT YOU KNOW THE FINISHED SOFTFALL HEIGHT PRIOR TO EXCAVATION OF HOLES. 6. DIG 5X FOUNDATIONS AS PER FOUNDATION DRAWING TYPE A 7. ATTACH AND INSTALL PIVOT ANCHORS (REFER PIVOT ANCHOR ASSEMBLY INSTRUCTIONS). 8. INSTALL COVER CAP ASSEMBLY (REFER COVER CAP ASSEMBLY INSTRUCTIONS). 9. ADDITIONAL SUPPORT MAY BE REQUIRED TO POSTS WHILE CONCRETE CURES. ADD IF NECESSARY BEFORE CONCRETE. 10. WHEN CONCRETE HAS CURED, REMOVE ANY ADDITIONAL SUPPORT IF USED. 11. REMOVE ANY WASTE CONCRETE FROM FINISHED GROUND AREA. 12. PLEASE CHECK ALL HARDWARE AND LEAVE SITE IN A CLEAN & ORDERLY MANNER.				
F.S.L > FINISHED SURFACE LEVEL F.G.L > FINISHED GROUND LEVEL				

imagination play®



ISOMETRIC VIEW

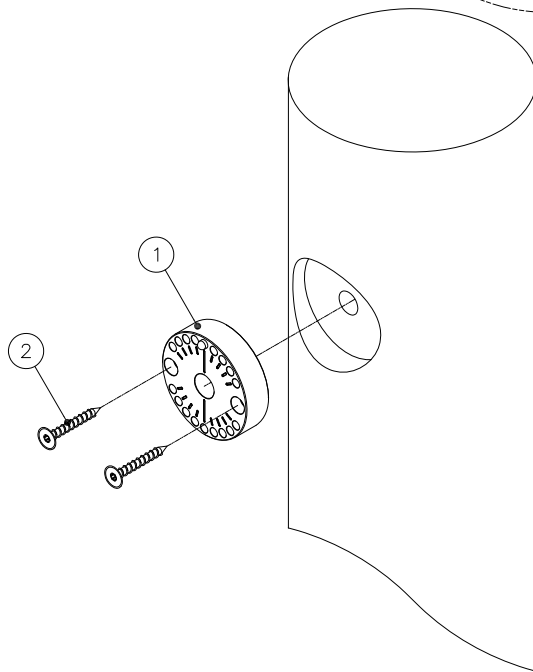
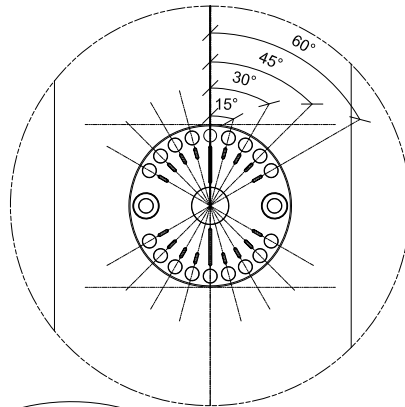
imagination play®



SIDE ELEVATION



# OTH03001 - INDEXED PIVOT ANCHOR ASSEMBLY - STEP 1

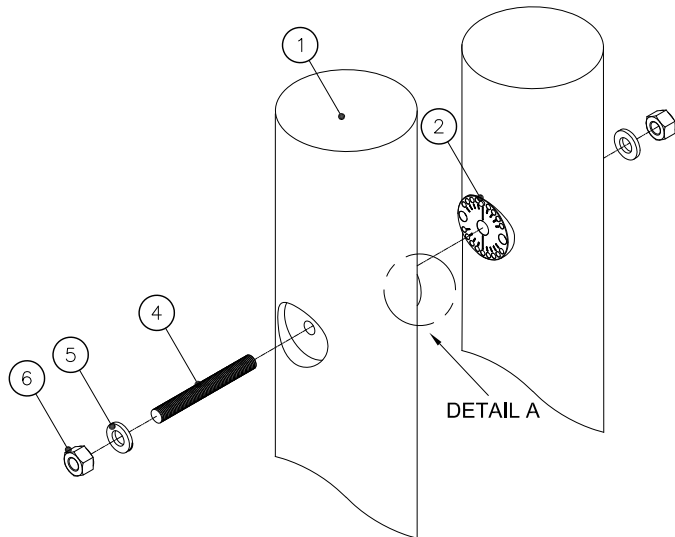
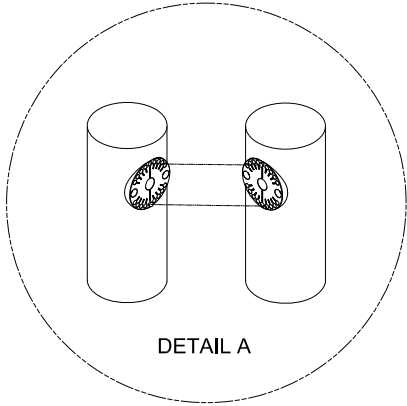


ISOMETRIC

Item	Code	Description	No.	SPECIFICATIONS: POSTS: NATURAL AUSTRALIAN HARDWOOD HARDWARE: STAINLESS STEEL
1	OTH03001	INDEXED PIVOT ANCHOR SS (PAIR REQUIRED)	1	
2	FST04010	6 X 70 WIROX CS	2	
APPLICATION: WOODWORX RANGE OF COMMERCIAL PLAYGROUND EQUIPMENT				MAINTENANCE: CHECK ALL FASTENERS AND RE-TIGHTEN IF NECESSARY 1 WEEK AFTER INSTALLATION. A MAINTENANCE SCHEDULE SHOULD BE ESTABLISHED AND FOLLOWED DEPENDANT ON FREQUENCY OF EQUIPMENT USE.
<b>INSTALLATION INSTRUCTIONS:</b> 1. READ THIS DOCUMENT THOROUGHLY BEFORE COMMENCING INSTALLATION 2. CHECK ALL ITEMS ABOVE ARE INCLUDED AND UNDAMAGED 3. IF ANY ITEMS ARE MISSING OR DAMAGED IN TRANSIT PLEASE CONTACT IMAGINATION PLAY IMMEDIATELY FOR FURTHER ASSISTANCE. 4. PLACE PIVOT ANCHOR IN THE AREA PROVIDED ON THE TIMBER POST. 5. ENSURE THAT THE VERTICAL LINES IN THE CENTRE ARE PERPENDICULAR TO THE GROUND AND THE CENTRAL HOLE IN THE PIVOT ANCHOR LINES UP PERFECTLY WITH THE HOLE PROVIDED IN THE TIMBER. 6. SECURE THE PIVOT ANCHOR USING SUPPLIED HARDWARE.				

# imagination play®

## OTH03001 - INDEXED PIVOT ANCHOR ASSEMBLY - STEP 2



Item	Code	Description	No.	SPECIFICATIONS: POSTS: NATURAL AUSTRALIAN HARDWOOD  HARDWARE: STAINLESS STEEL
1	OTH03001	INDEXED PIVOT ANCHOR SS (2 REQUIRED)	2	
2	FST03078	M16 x 1000MM THREADED ROD	1	
3	FST03082	M16 SPLIT WASHER (SS)	2	
4	FST03080	M16 STANDARD HEX NUT (SS)	2	
5	FST04010	6 X 70 WIROX CS	4	

**APPLICATION:**  
WOODWORX RANGE OF COMMERCIAL PLAYGROUND EQUIPMENT

**MAINTENANCE:**  
CHECK ALL FASTENERS AND RE-TIGHTEN IF NECESSARY 1 WEEK AFTER INSTALLATION. A MAINTENANCE SCHEDULE SHOULD BE ESTABLISHED AND FOLLOWED DEPENDANT ON FREQUENCY OF EQUIPMENT USE.

- INSTALLATION INSTRUCTIONS:**
1. READ THIS DOCUMENT THOROUGHLY BEFORE COMMENCING INSTALLATION
  2. CHECK ALL ITEMS ABOVE ARE INCLUDED AND UN DAMAGED
  3. IF ANY ITEMS ARE MISSING OR DAMAGED IN TRANSIT PLEASE CONTACT IMAGINATION PLAY IMMEDIATELY FOR FURTHER ASSISTANCE.
  4. ENSURE THAT INDEXED PIVOT ANCHOR PINS ARE OPPOSED, I.E. THE PIN ON EACH ANCHOR ENTERS A HOLE ON THE OTHER ANCHOR.
  5. UPON CHECKING THE PIVOT ANCHORS LINE UP, BRING THE TWO TIMBER POSTS TOGETHER, ENSURING THAT THE PIVOT ANCHORS ARE SECURED & INNER FACES ARE FLUSH WITH ONE ANOTHER.
  6. PASS THE THREADED ROD THROUGH THE HOLE.
  7. USE WASHER AND NUT TO FASTEN AND SECURE THE TIMBER PARTS TOGETHER (FASTEN BOTH SIDES).
  8. TIGHTEN THE NUT TILL TIMBERS ARE SECURE, CUT ANY ADDITIONAL LENGTH OF THREADED ROD UPTO THE NUT (CHECK IP CAP SUB-ASSEMBLY FOR DETAILS).

